

## GHG-JHW Soft Close Damper Hinge

### Features

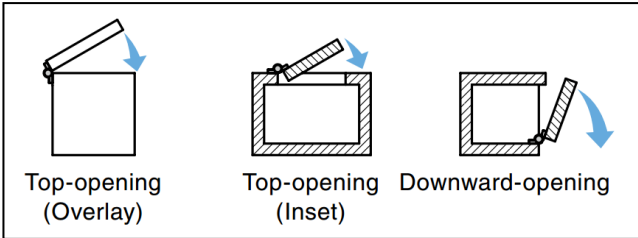
- Hinge with built-in damper provides soft-close or soft-opening motions
- Components for installation to aluminium frame are available for order
- Suitable for top-opening lids and upper covers
- Passed 20,000 life cycle test

### Notes

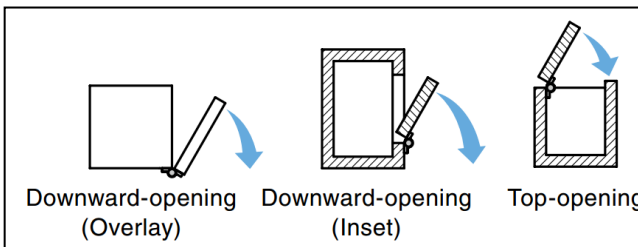
- Install a stopper at the lid opening / closing position if required to limit swivelling range to suit application
- Ensure both hinge shafts are levelled and aligned during installation



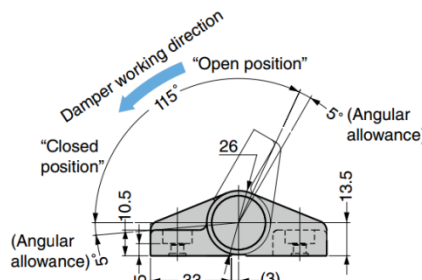
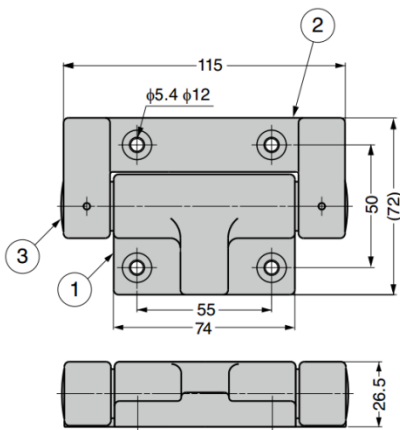
### GHG-JHW



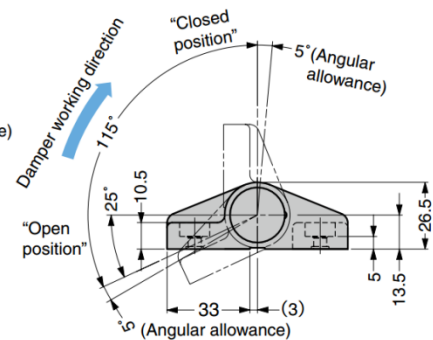
### GHG-JHWG



No.	Part Name	Material	Finish / Colour
①	Bracket	PBT	Emboss/Dark Grey
②	Damper		
③	Cover	PP	



**GHG-JHW**



**GHG-JHWG**

Part No.	Damper Working Direction	Marking Colour	Torque (per piece)	
GHG-JHW50	For Closing	White	3.0 ~ 5.0 N.m	30.6 ~ 51.0 kgf.cm
GHG-JHW70		Without	5.0 ~ 7.0 N.m	51.0 ~ 71.4 kgf.cm
GHG-JHW50G	For Opening	White, Red	3.0 ~ 5.0 N.m	30.6 ~ 51.0 kgf.cm
GHG-JHW70G		Red	5.0 ~ 7.0 N.m	51.0 ~ 71.4 kgf.cm